

# FURUNO®

High-Performance 2.2 kW transceiver in an 18" radome

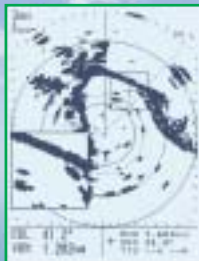
## 7" LCD RADAR

### MODEL 1715

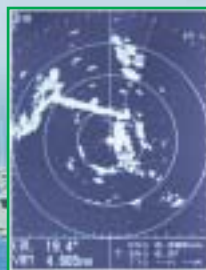
- High Contrast 7" Silver Bright LCD for excellent sunlight viewability
- 14 range scales from 0.125 to 24 nm
- Low power consumption in Watchman mode - only 8 W
- Dual bandwidth IF amplifier: broad band for high definition in short ranges, narrow band for enhanced detection in long ranges
- Variable antenna speeds with range scales for optimum performance on all ranges
- Cursor position can be read in L/L (GPS navigator is required)
- Programmable Navigation Data repeater feature
- Zoom in to a specific area
- Reverse video feature for effective use at night
- Guard Zone Alarm (US Patent No.5032842)



NAV DATA



ZOOM



REVERSE



The future today with FURUNO's electronics technology.

**FURUNO ELECTRIC CO., LTD.**

9-52 Ashihara-cho, Nishinomiya City, Japan Phone: +81 (0)798 65-2111  
Fax: +81 (0)798 65-4200, 66-4622 URL: www.furuno.co.jp

Catalogue No. R-183a

TRADE MARK REGISTERED  
MARCA REGISTRADA

The MODEL 1715 is a high contrast LCD radar designed for pleasure craft and small fishing boats. Radar echoes are presented in four shades of gray on the 7" Silver Bright LCD. The Radar offers detailed pictures of coastline and targets at short ranges thanks to narrower pulselengths and dual IF bandwidths. The antenna rotation speed automatically changes depending on the range selection for optimum target detection. The compact, waterproof display allows table top or panel mounting in the cockpit or on the open fly bridge.

The radar has a power saving Watchman mode. In this mode, the antenna is stopped and the transmission is off, while the screen displays nav data only. The radar wakes up at a specified time interval (5, 10 or 20 min) and operates for a minute. If a target enters the Guard Zone, an audible alarm sounds and the radar goes into its normal operating

mode, cancelling the Watchman mode. The alarm may also be set to work for a target leaving the Zone.

Other standard features include: EBL (Electronic Bearing Line), VRM (Variable Range Marker), TLL output (Target L/L), Cursor L/L readout, Echo Trail, Guard Zone Alarm, Anti Clutter Rain, Automatic control of tuning and sensitivity. The A/C RAIN control improves the target detection in the rain by elaborate design of the receiver.

With use of nav data inputs in NMEA 0183 format, the radar offers additional functions. Graphical and numeric waypoint information can be shown on the display. The Waypoint is indicated by a lollipop mark for easy identification on the radar display. In the TLL output function, you can output a specified target's L/L by using the cursor to the optional GPS navigator as a mark.

## SPECIFICATIONS OF MODEL 1715

### ANTENNA

<b>Type</b>	Microstrip radiator enclosed in $\varnothing 460$ mm (18") radome
<b>Beamwidth</b>	Hor. 5.2°, Vert. 25°
<b>Rotation Speed</b>	24 rpm (3 to 24 nm), 31 rpm (1 to 2 nm) 41 rpm (0.125 to 0.75 nm)

### RF TRANSCEIVER

<b>Frequency</b>	9410 $\pm$ 30 MHz (X-band)
<b>Pulselength &amp; PRR</b>	0.8 $\mu$ s/600 Hz (3 to 24 nm) 0.3 $\mu$ s/1200 Hz (1 to 2 nm) 0.08 $\mu$ s/3000 Hz (0.125 to 0.75 nm)
<b>Peak Output Power IF Amplifier</b>	2.2 kW nominal IF: 60 MHz BW: 5 MHz (1 to 24 nm) 15 MHz (0.125 to 0.75 nm)

### DISPLAY

<b>Display Unit</b>	7" monochrome LCD, 4 gray tones, 240 x 320 pixels, 102 mm (W) x 138 mm (H)
<b>Accuracy</b>	Range: 1.0 % of range in use or 8 m, whichever is greater Bearing: EBL accuracy $\pm 1^\circ$

### Range and Range Ring Interval

Range: 0.125, 0.25, 0.5, 0.75, 1, 1.5, 2, 3, 4, 6, 8, 12, 16, 24 nm  
Ring: .0625 .125 .125 .25 .25 .5 .5 1 1 2 2 3 4, 6 nm

**Echo Trail** Interval: 30 s, 1, 3, 6 min, or continuous

**Interface** (NMEA 0183 format)

**Input:** DPT (Depth), HDT (Compass), MTW (Water temperature), VBW (Dual ground/water speeds), VTG (COG, SOG), ZDA (UTC), etc.

**Output:** TLL (Target L/L)

### ENVIRONMENT

<b>Temperature</b> (IEC 60945 Test method)	Antenna Unit: -25°C to +70°C Display Unit: -15°C to +55°C
<b>Waterproofing</b> (IEC 60529 Test method)	Antenna Unit: IEC IPX6, CFR46 (USCG) Display Unit: IEC IPX5, CFR46 (USCG)

### POWER SUPPLY

12 to 24 VDC, 38 W (max), 8 W (in Watchman mode)  
115/230 VAC with optional rectifier PR-62

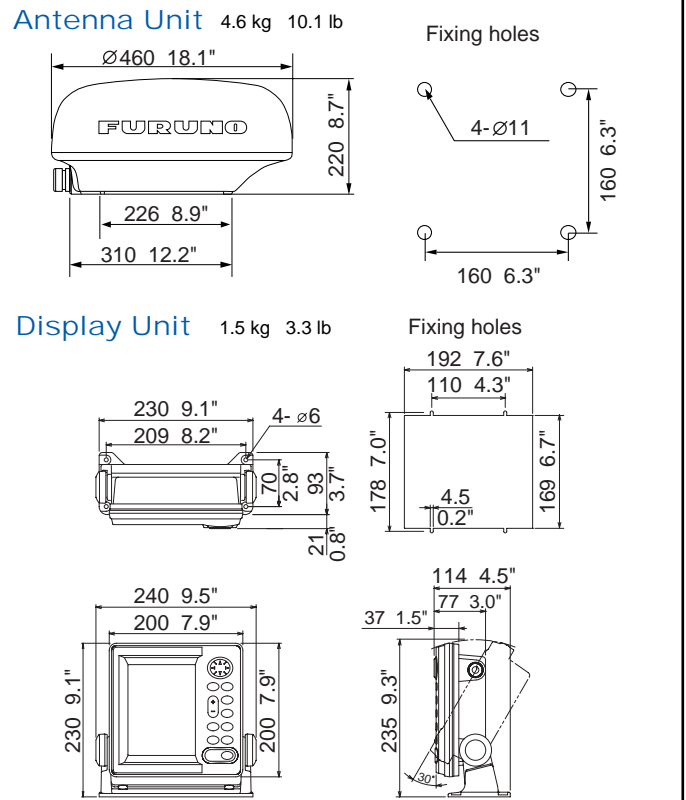
### EQUIPMENT LIST

#### Standard

1. Display Unit RDP-142	1 unit
2. Antenna Unit RSB-0095	1 unit
3. Antenna Cable 10/15/20 m (Specify when ordering)	1 pc
4. Power Cable 3.5 m	1 pc
5. Spare Parts & Installation Materials	1 set

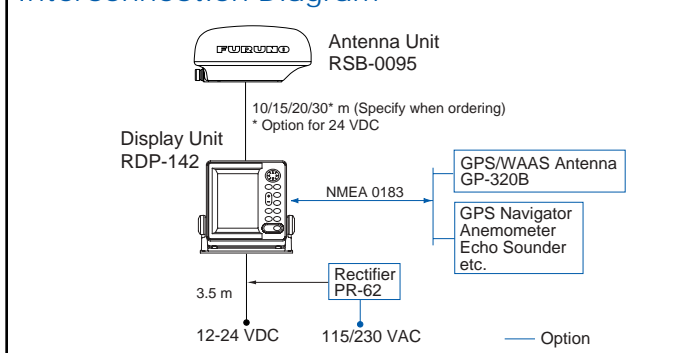
#### Option

- Rectifier PR-62 for 115/230 VAC mains
- NMEA Cable, 5 m (MJ-A7SPF0007-050)
- NMEA Cable, 0.5 m branched (MJ-A15A7F0004-005)
- NMEA Cable, 2 m 7P to 7P (MJ-A15A7F0005-020)
- Antenna Bracket OP03-93
- External Buzzer XH3-BZ-L970
- Antenna Cable, 30 m (for 24 VDC)



SPECIFICATIONS SUBJECT TO CHANGE WITHOUT NOTICE

### Interconnection Diagram



**FURUNO U.S.A., INC.**  
Camas, Washington, U.S.A.  
Phone: +1 360-834-9300 Fax: +1 360-834-9400

**FURUNO (UK) LIMITED**  
Denmead, Hampshire, U.K.  
Phone: +44 2392-230303 Fax: +44 2392-230101

**FURUNO FRANCE S.A.**  
Bordeaux-Mérignac, France  
Phone: +33 5 56 13 48 00 Fax: +33 5 56 13 48 01

**FURUNO ESPAÑA S.A.**  
Madrid, Spain  
Phone: +34 91-725-90-88 Fax: +34 91-725-98-97

**FURUNO DANMARK AS**  
Hvidovre, Denmark  
Phone: +45 36 77 45 00 Fax: +45 36 77 45 01

**FURUNO NORGE A/S**  
Ålesund, Norway  
Phone: +47 70 102950 Fax: +47 70 127021

**FURUNO SVERIGE AB**  
Västra Frölunda, Sweden  
Phone: +46 31-7098940 Fax: +46 31-497093

**FURUNO FINLAND OY**  
Espoo, Finland  
Phone: +358 9 4355 670 Fax: +358 9 4355 6710

04065T Printed in Japan